

1

2

3

4

5

COMPONENT SPECIFICATION

USE OR REPRODUCTION OF THIS DRAWING FOR THE PURPOSE OF MANUFACTURING THIS ARTICLE OR ANY ARTICLES SHOWN FOR ANY PURPOSE IS STRICTLY PROHIBITED WITHOUT WRITTEN PERMISSION FROM SENIOR INDUSTRIES, INC.

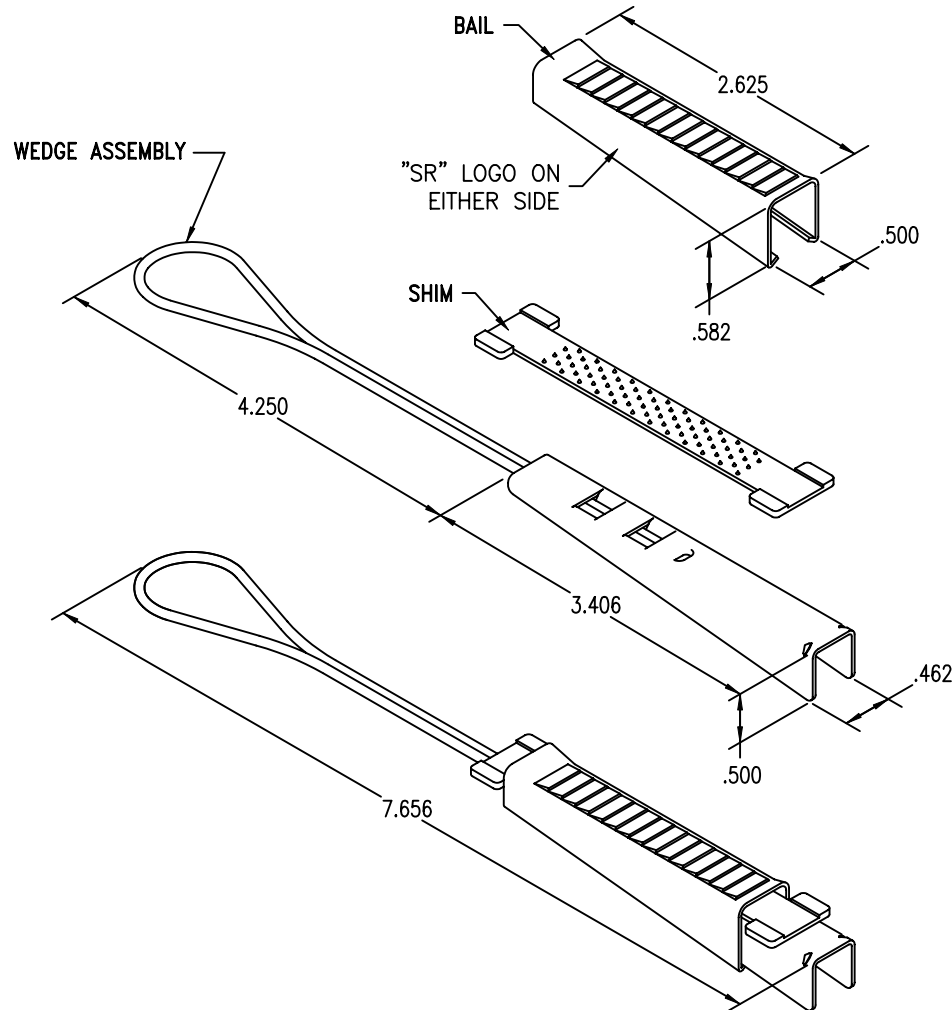
SPECIFICATIONS:

MECHANICAL:

RANGE: USED WITH 2 PAIR DROP WIRES
TEST LOAD: WIRE CRIMPED TO WEDGE SHALL WITHSTAND 555 LBS OF SEPARATION FORCE WITHOUT BREAKING OR PULLING OUT.

MATERIAL:

BAIL AND WEDGE: STAINLESS STEEL
WIRE LOOP: .081" DIA. STAINLESS STEEL
SHIM: NYLON 66



DESIGNED:			SYM.	DATE:	DESCRIPTION OF REVISIONS:	DRAWN:	APPD:	TOLERANCE:	PART NO:	SI-0956P
DRAWN:	GAT	08/13/08	▲	08.13.08	NEW	GAT	JF			
CHECKED:	GAT	08/13/08	▲	.	.			TO 2 DECIMAL PLACE: ±	TITLE:	SS DROP WIRE CLAMP
APPROVED:	JF	08/13/08	▲	.	.			TO 3 DECIMAL PLACES: ±		
3RD ANGLE		UNIT:	IN	SCALE:	1:1	REV:	A	AS ANGLES: ±	SHEET:	1 OF 1