

1

2

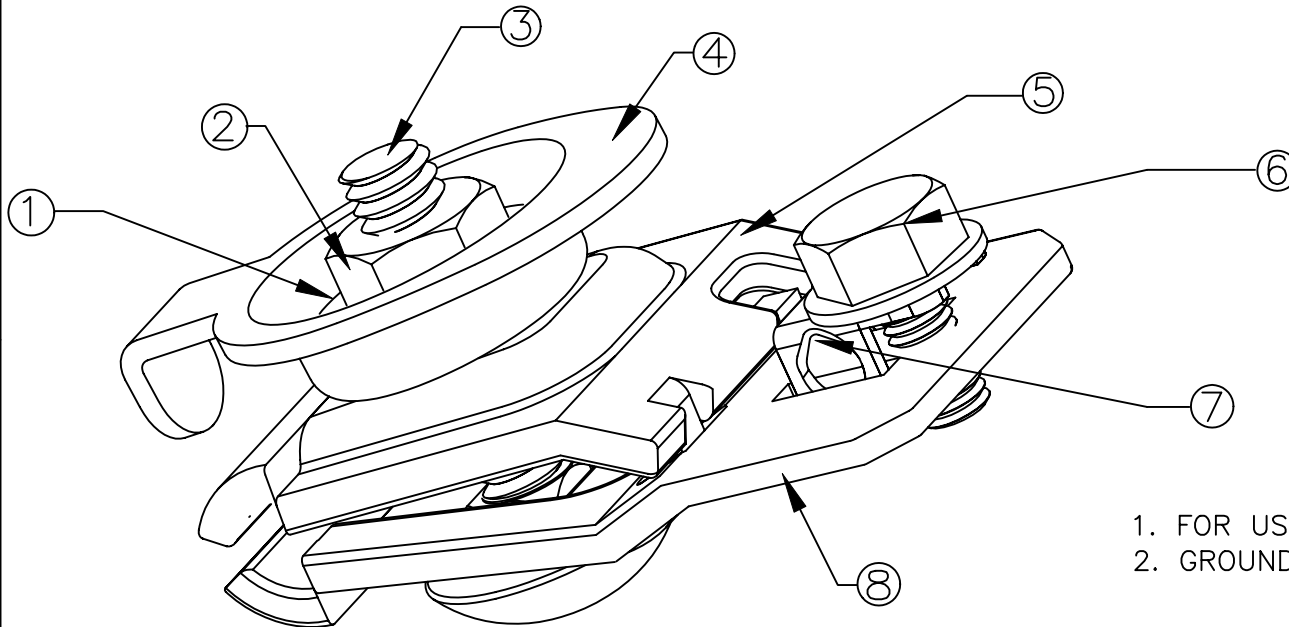
3

4

5

COMPONENT SPECIFICATION

USE OR REPRODUCTION OF THIS DRAWING FOR THE PURPOSE OF MANUFACTURING THIS ARTICLE OR ANY ARTICLES SHOWN FOR ANY PURPOSE IS STRICTLY PROHIBITED WITHOUT WRITTEN PERMISSION FROM SENIOR INDUSTRIES, INC.



- 1. FOR USE WITH SINGLE 1/4" MESSENGER CABLE
- 2. GROUNDING CLIP TO ACCEPT UP TO #6 GROUND WIRE

	DESCRIPTION	MATERIAL	FINISH
1	1/4" LOCK WASHER	STEEL	YELLOW DICHROMATE
2	1/4-20 HEX NUT 7/16 HEX	STEEL	ASTM B695
3	1/4-20 X 1.125 CARRIAGE BOLT	STEEL	ASTM B695
4	TAILED CUP	STEEL	ASTM B695
5	CLAMP	STEEL	ASTM B695
6	10-32 SET SCREW	STEEL	GREEN PAINT
7	CONTACT PLATE	STEEL	ASTM B695
8	CLAMP	STEEL	ASTM B695



SENIOR INDUSTRIES, INC.

DESIGNED:			SYM.	DATE:	DESCRIPTION OF REVISIONS:	DRAWN:	APPD:	TOLERANCE:	PART NO:	SI-0515MB
DRAWN:	MAW	03/02/11	▲	03.02.11	NEW	MAW	JF	TO 2 DECIMAL PLACE: ±	TITLE:	MULTI SPAN CLAMP
CHECKED:	GAT	07/27/05	▲	.	.			TO 3 DECIMAL PLACES: ±	SHEET:	1 OF 1
APPROVED:	JF	07/27/05	▲	.	.			AS ANGLES: ±		
3RD ANGLE		UNIT:	inches	SCALE:	3:1	REV:	A			