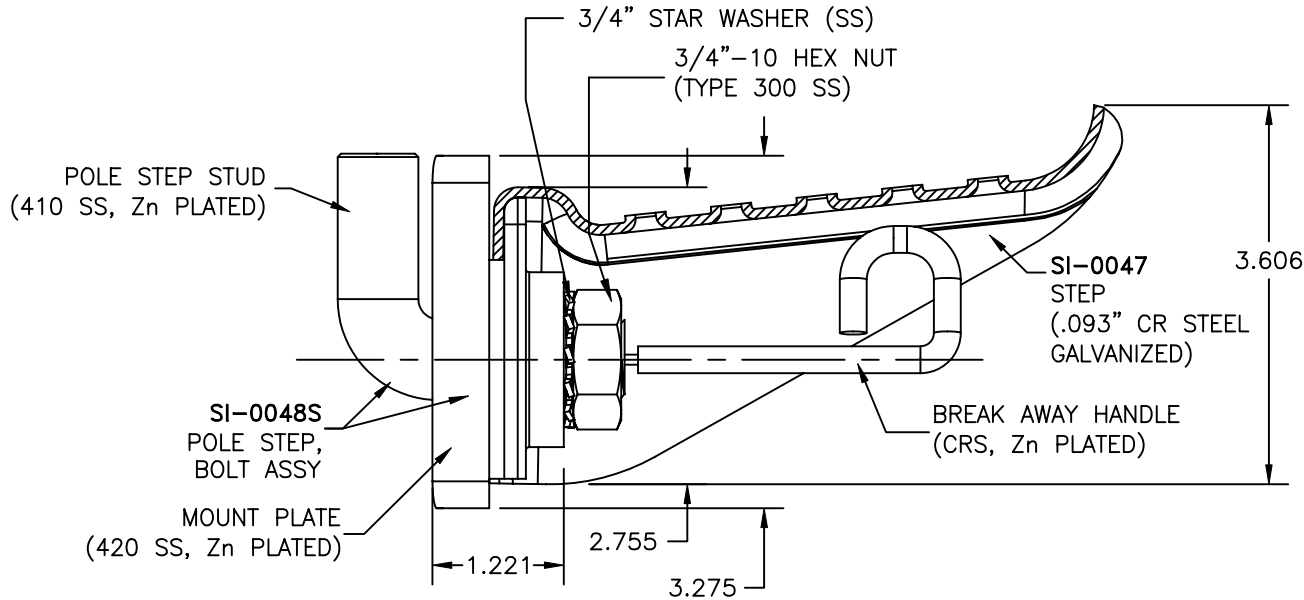
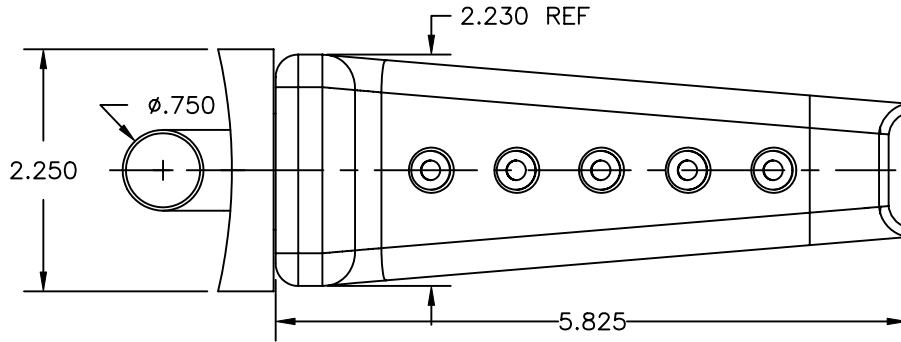
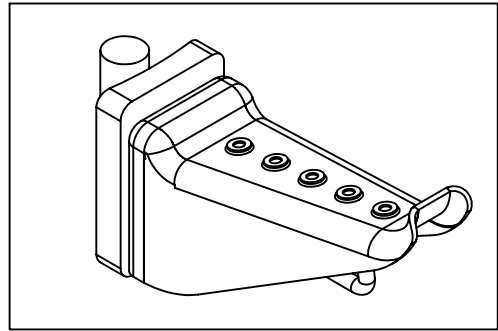


COMPONENT SPECIFICATION

USE OR REPRODUCTION OF THIS DRAWING FOR THE PURPOSE OF MANUFACTURING THIS ARTICLE OR ANY ARTICLES SHOWN FOR ANY PURPOSE IS STRICTLY PROHIBITED WITHOUT WRITTEN PERMISSION FROM SENIOR INDUSTRIES, INC.



SPECIFICATIONS:

POLE RANGE:

STEEL - 10" TO 13" DIAMETER, .118" - .219" WALL.

STRENGTH:

WHILE MOUNTED TO A POLE, THE POLE STEP SHALL:

WITHSTAND 750 LBS DOWN FORCE, APPLIED AT THE END OF THE STEP, WITHOUT FRACTURE, DEGRADATION, OR DISASSEMBLY FROM POLE.

WITHSTAND 150 LBS UPWARD FORCE, APPLIED UNDERNEATH AT THE END OF THE STEP, WITHOUT FRACTURE, DEGRADATION, OR DISASSEMBLY FROM POLE.

WITHSTAND 250 LBS SIDE TO SIDE FORCE WITHOUT FRACTURE, DEGRADATION, OR DISASSEMBLY FROM POLE.

DROP TEST:

WHILE MOUNTED TO A POLE, WITHSTANDS A DROP LOAD OF 250 LBS, ATTACHED BY AN 18" CHAIN TO THE END OF THE POLE STEP, WITHOUT FRACTURE, DEGRADATION, OR DISASSEMBLY FROM POLE.

ASSEMBLY:

MOUNTS INTO 13/16" DIAMETER HOLE.



**SENIOR INDUSTRIES, INC.**

DESIGNED:			SYM.	DATE:	DESCRIPTION OF REVISIONS:	DRAWN:	APPD:	TOLERANCE:	PART NO:	SI-0041S	
DRAWN:	GAT	09/22/09	▲	09.22.09	NEW	GAT	JF				
CHECKED:	GAT	09/22/09	▲	.	.			TO 2 DECIMAL PLACE: ±	TITLE:	REMOVABLE POLE STEP	
APPROVED:	JF	09/22/09	▲	.	.			TO 3 DECIMAL PLACES: ±			
3RD ANGLE		UNIT:	inches	SCALE:	1:1	REV.	A	AS ANGLES:	± °	SHEET:	1 OF 1