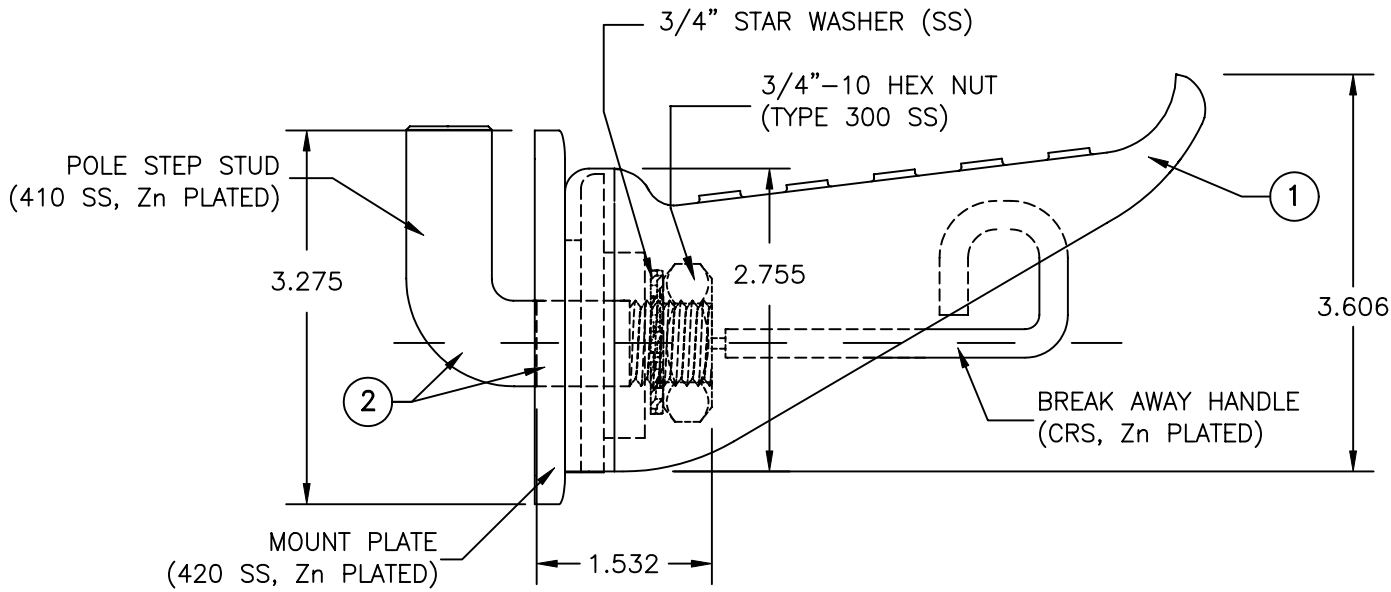
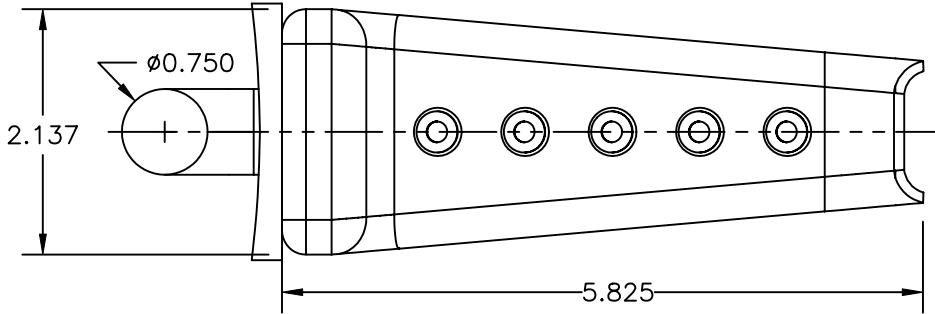
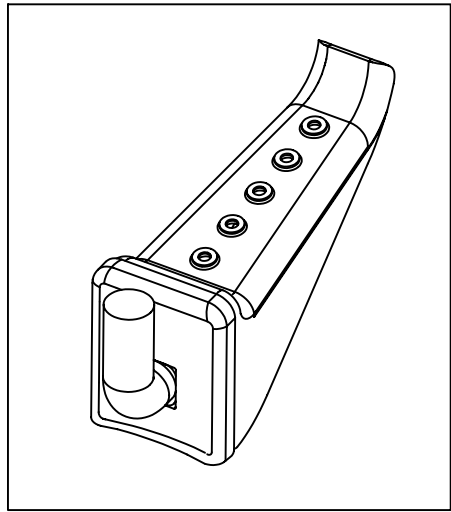


1	2	3	4	5
COMPONENT SPECIFICATION	USE OR REPRODUCTION OF THIS DRAWING FOR THE PURPOSE OF MANUFACTURING THIS ARTICLE OR ANY ARTICLES SHOWN FOR ANY PURPOSE IS STRICTLY PROHIBITED WITHOUT WRITTEN PERMISSION FROM SENIOR INDUSTRIES, INC.			



2	POLE STEP, BOLT ASSY	SEE ABOVE	SI-0048
1	STEP	.093" CR STEEL GALVANIZED	SI-0047
ITEM	DESCRIPTION	MATERIAL/FINISH	PART NO.



DESIGNED:			SYM.	DATE:	DESCRIPTION OF REVISIONS:	DRAWN:	APPD:	TOLERANCE:	PART NO:	SI-0041
DRAWN:	GAT	08/24/06	▲	08.24.06	General view updated to show the complete assy	GAT	JF	TO 2 DECIMAL PLACE: ±	TITLE:	REMOVABLE POLE STEP
CHECKED:	GAT	09/10/09	▲	03.17.08	Corr mater on nut&star washer to SS plain finish	GAT	JF		TO 3 DECIMAL PLACES:±.010	
APPROVED:	JF	09/10/09	▲	09.10.09	Corr'd stud mater. from 430 to 410 SS	GAT	JF	AS ANGLES: ±1/2°	SHEET:	1 OF 2
3RD ANGLE		UNIT:	inches	SCALE:	1:1	REV.	H			

1

2

3

4

5

COMPONENT SPECIFICATION

USE OR REPRODUCTION OF THIS DRAWING FOR THE PURPOSE OF MANUFACTURING THIS ARTICLE OR ANY ARTICLES SHOWN FOR ANY PURPOSE IS STRICTLY PROHIBITED WITHOUT WRITTEN PERMISSION FROM SENIOR INDUSTRIES, INC.

SPECIFICATIONS

POLE RANGE: FIBERGLASS – 12” TO 20” DIAMETER, 3/8” WALL.  
STEEL – 10” DIAMETER, 7 GAGE.

STRENGTH: WHILE MOUNTED TO A POLE, THE POLE STEP SHALL:

WITHSTAND 750 LBS DOWN FORCE, APPLIED AT THE END OF THE STEP, WITHOUT FRACTURE, DEGRADATION, OR DISASSEMBLY FROM POLE.

WITHSTAND 150 LBS UPWARD FORCE, APPLIED UNDERNEATH AT THE END OF THE STEP, WITHOUT FRACTURE, DEGRADATION, OR DISASSEMBLY FROM POLE.

WITHSTAND 250 LBS SIDE TO SIDE FORCE WITHOUT FRACTURE, DEGRADATION, OR DISASSEMBLY FROM POLE.

DROP TEST: WHILE MOUNTED TO A POLE, WITHSTANDS A DROP LOAD OF 250 LBS, ATTACHED BY AN 18” CHAIN TO THE END OF THE POLE STEP, WITHOUT FRACTURE, DEGRADATION, OR DISASSEMBLY FROM POLE.

ASSEMBLY: MOUNTS INTO 13/16” DIAMETER HOLE.



**SENIOR INDUSTRIES, INC.**

DESIGNED:			SYM.	DATE:	DESCRIPTION OF REVISIONS:	DRAWN:	APPD:	TOLERANCE:	PART NO:	SI-0041
DRAWN:	GAT	08/24/06	▲	08.24.06	General view updated to show the complete assy	GAT	JF			
CHECKED:	GAT	09/10/09	▲	03.17.08	Corr mater on nut&star washer to SS plain finish	GAT	JF	TO 2 DECIMAL PLACE: ±	TITLE:	REMOVABLE POLE STEP
APPROVED:	JF	09/10/09	▲	09.10.09	Corr'd stud mater. from 430 to 410 SS	GAT	JF	TO 3 DECIMAL PLACES:±		
3RD ANGLE		UNIT:	inches	SCALE:		REV.	H	AS ANGLES: ± °	SHEET:	2 OF 2