

1

2

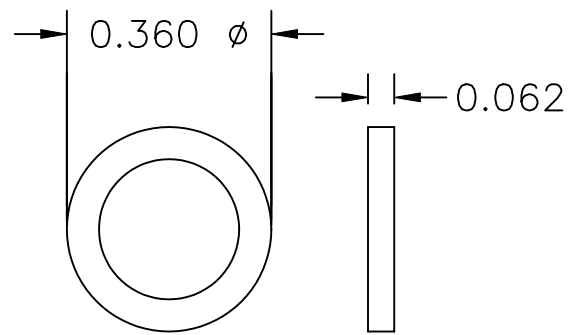
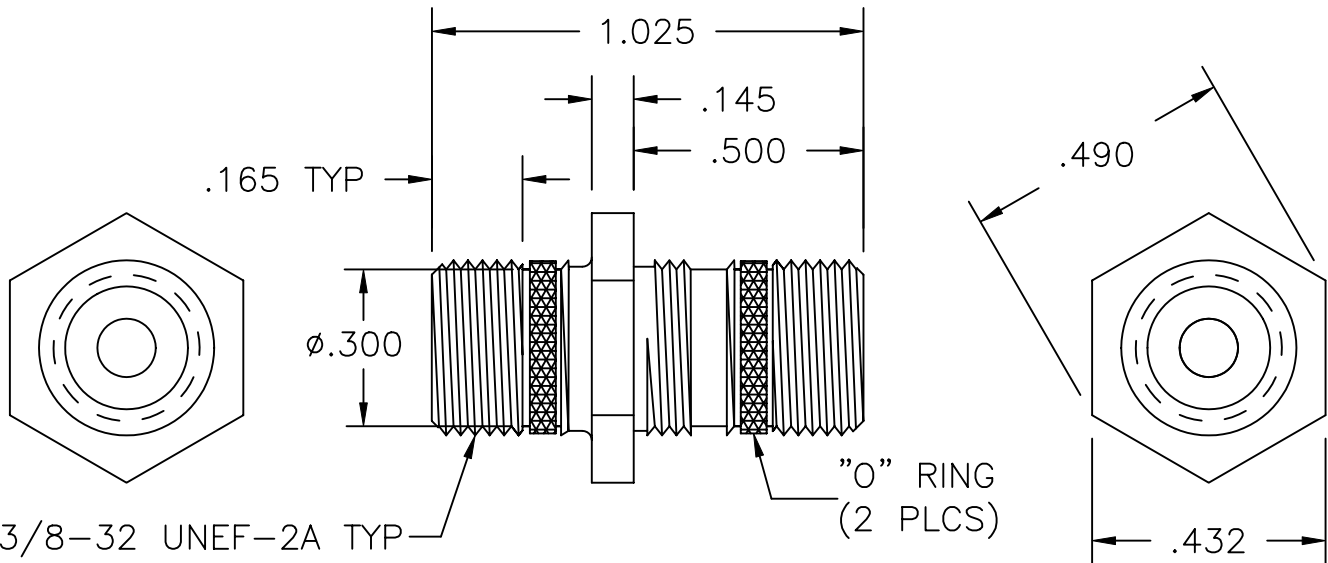
3

4

5

COMPONENT SPECIFICATION

USE OR REPRODUCTION OF THIS DRAWING FOR THE PURPOSE OF MANUFACTURING THIS ARTICLE OR ANY ARTICLES SHOWN FOR ANY PURPOSE IS STRICTLY PROHIBITED WITHOUT WRITTEN PERMISSION FROM SENIOR INDUSTRIES, INC.



"O" RING

NOTE: DUROMETER MUST BE SHORE 'A' 60 DUROMETER.

MATERIAL:

BODY: BRASS, NICKEL PLATED
 CONTACT: MULTI-POINT 360° BERYLLIUM COPPER SOCKET, GOLD PLATING
 INSULATOR: HIGH TEMPERATURE PP PLASTIC, BLUE COLOR



DESIGNED:			SYM.	DATE:	DESCRIPTION OF REVISIONS:	DRAWN:	APPD:	TOLERANCE:	PART NO:	SI-SG-81	
DRAWN:	GAT	03/09/07	▲	03.22.07	NEW	GAT	JF				
CHECKED:	GAT	03/22/07	▲	.	.			TO 2 DECIMAL PLACE: ±	TITLE:	F CONNECTOR W/"O" RINGS	
APPROVED:	JF	03/22/07	▲	.	.			TO 3 DECIMAL PLACES: ±			
3RD ANGLE		UNIT:	IN	SCALE:	2:1	REV:	A	AS ANGLES:	±	SHEET:	1 OF 1