

1

2

3

4

5

COMPONENT SPECIFICATION

USE OR REPRODUCTION OF THIS DRAWING FOR THE PURPOSE OF MANUFACTURING THIS ARTICLE OR ANY ARTICLES SHOWN FOR ANY PURPOSE IS STRICTLY PROHIBITED WITHOUT WRITTEN PERMISSION FROM SENIOR INDUSTRIES, INC.

SPECIFICATIONS

MATERIAL

CONNECTOR BODY: COPPER ALLOY, TIN PLATED
INSERT: COPPER ALLOY, TIN PLATED
SPACER: COPPER ALLOY, TIN PLATED
STUD: SILICON BRONZE ALLOY

MECHANICAL

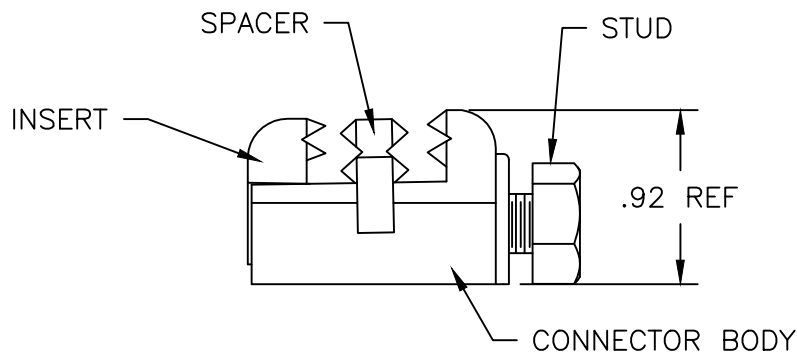
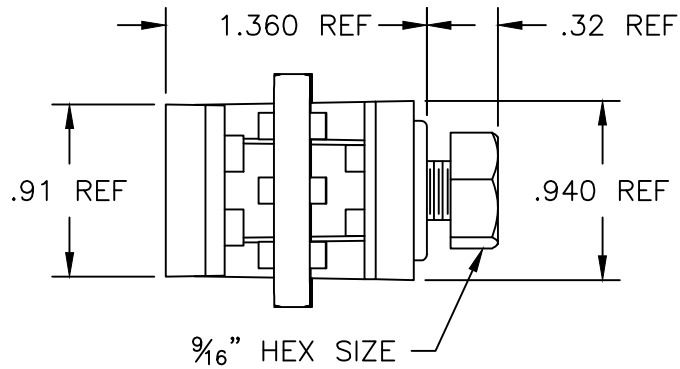
USE: CONNECT GROUND WIRE TO FIGURE 8 MESSENGER STRAND.
TORQUE STENGTH: 13 FT-LBS WITHOUT DEGRADATION USING (2) 1/4" MANDRELS.

ELECTRICAL

1530 AMPS FOR 6 SECONDS MINIMUM WITHOUT DEGRADATION USING NO. 6 SOLID COPPER WIRE AND 1/4" GALVANIZED STRAND AT AN INSTALLED TORQUE OF 20 IN-LBS.

AGENCY APPROVALS:

UL FILE NO. E137532



SENIOR INDUSTRIES, INC.

Table with columns for DESIGNED, DRAWN, CHECKED, APPROVED, SYM., DATE, DESCRIPTION OF REVISIONS, DRAWN, APPD, TOLERANCE, PART NO, TITLE, SHEET. Includes revision history and manufacturing details like UNIT: inches, SCALE: 1:1, REV. A, SHEET: 1 OF 1.