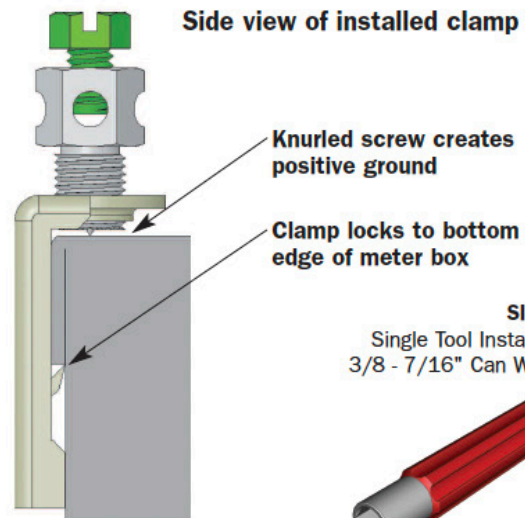
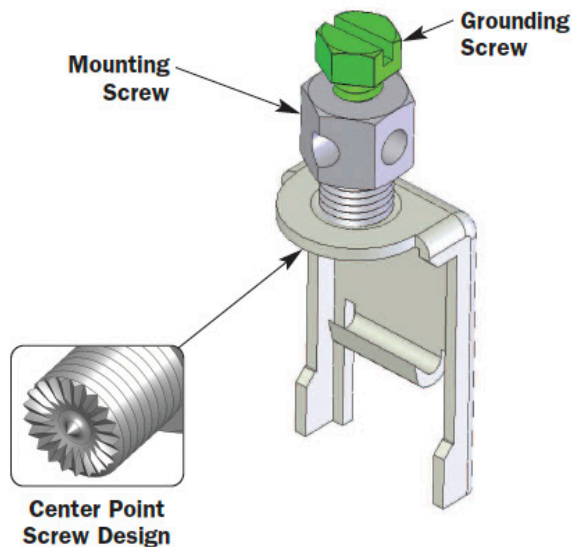


Meter Box Clamp SI-2167SLM

(Patented, UL & CUL Listed)

Side Lip Mount



SI-7195
Single Tool Installation
3/8 - 7/16" Can Wrench

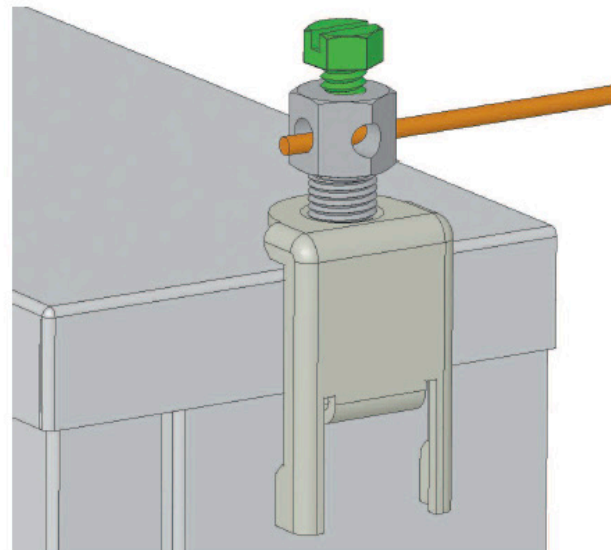


Application

Side Lip Mount Meter Box Clamp permits the bonding of up to a #6 AWG copper ground wire to the top side lip of the meter box without deforming or disturbing the metal and welded spots.

The patented center point screw design prevents "walking" of the clamp during installation. The 7/16" hex screw allows multiple entry points of the ground wire, reducing the number of bends needed. The knurled edge of the screw grinds down the enamel paint to the base metal in a precise manner while the bottom plate locks itself firmly on the edge of the side top lip, creating a positive ground.

The Side Lip Mount Meter Box Clamp is made entirely of stainless steel and is easily installed using the MSI SI-7195 3/8 - 7/16" Can Wrench.



For technical assistance or to request samples, please call 800-350-1650

MacLean Network Solutions

610 Pond Drive Wood Dale, IL 60191

Phone: 800-350-1650

Email: Sales@macleansenior.com

Website: www.macleannetworksolutions.com

MacLean Network Solutions All rights reserved.

06/1/2022