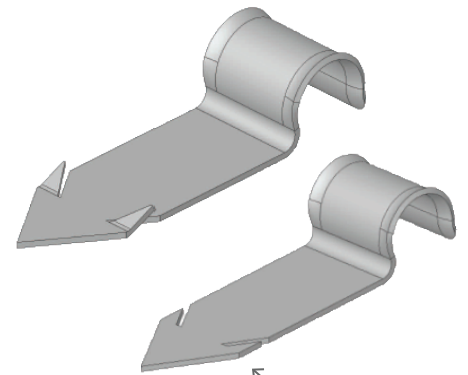


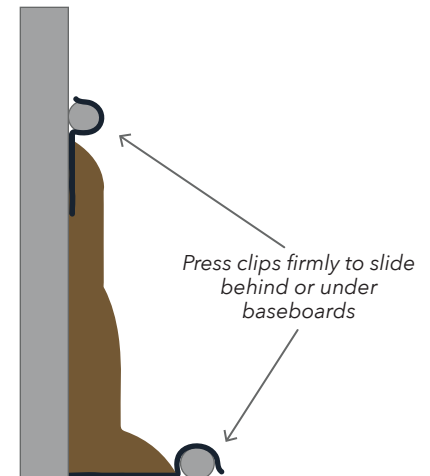
"SCREWLESS" BASEBOARD CLIPS

SI-099X SERIES

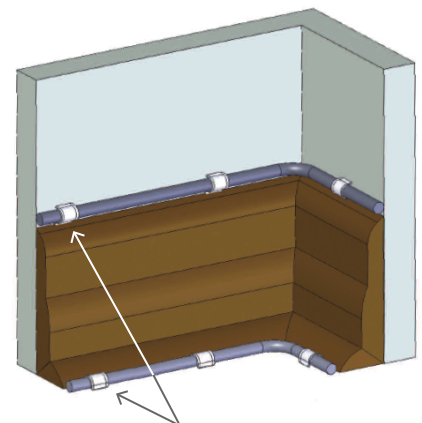
MNS "Screwless" baseboard clips have been specifically designed to facilitate and enhance the installation of indoor coaxial cable, telephone wire, or Category 5 communication wire at a subscriber's home. These SI-099X Series Clips slip easily behind baseboards to firmly secure cables along walls and carpeting. They avoid crushing or nicking of the cables commonly caused by conventional cable clips using screws, nails or staples.



Barbs can be flattened allowing clips to be removed and reused



Press clips firmly to slide behind or under baseboards



Use clips along walls or carpeting



Features

- Made of high quality steel with high impact, baked enamel finish
- Clips incorporate two barbs for a permanent installation
 - Can be easily flattened with pliers to remove and reuse clips
- Clips are available for RG 6 indoor coaxial cable, telephone wire or Category 5 communication wire
 - Available in black, white or ivory
- Ensures proper installation every time



Installation

1. Mount clip on indoor cable
2. Position clip and cable flush to wall or carpeted surface
3. Press firmly with thumb to pierce any paint and slide clip behind baseboard
4. Space clips properly to secure cable uniformly along walls and carpet

Ordering Information

SI-0991-X "Screwless" RG 6 Cable Clip

SI-0992-X "Screwless" RG 6 Quad Cable Clip

SI-0993-X "Screwless" Telephone Wire Cable Clip

SI-0994-X "Screwless" Category 5 Cable Clip

Part Number Note - "X" represents enamel color:
B - Black W - White N - Ivory

 is now known as

 **MacLean**[™]
NETWORK SOLUTIONS

MacLean Network Solutions

610 Pond Drive, Wood Dale, IL 60191

Phone: 800-350-1650

Email: Sales@MacLeanSenior.com • www.MacLeanSenior.com

