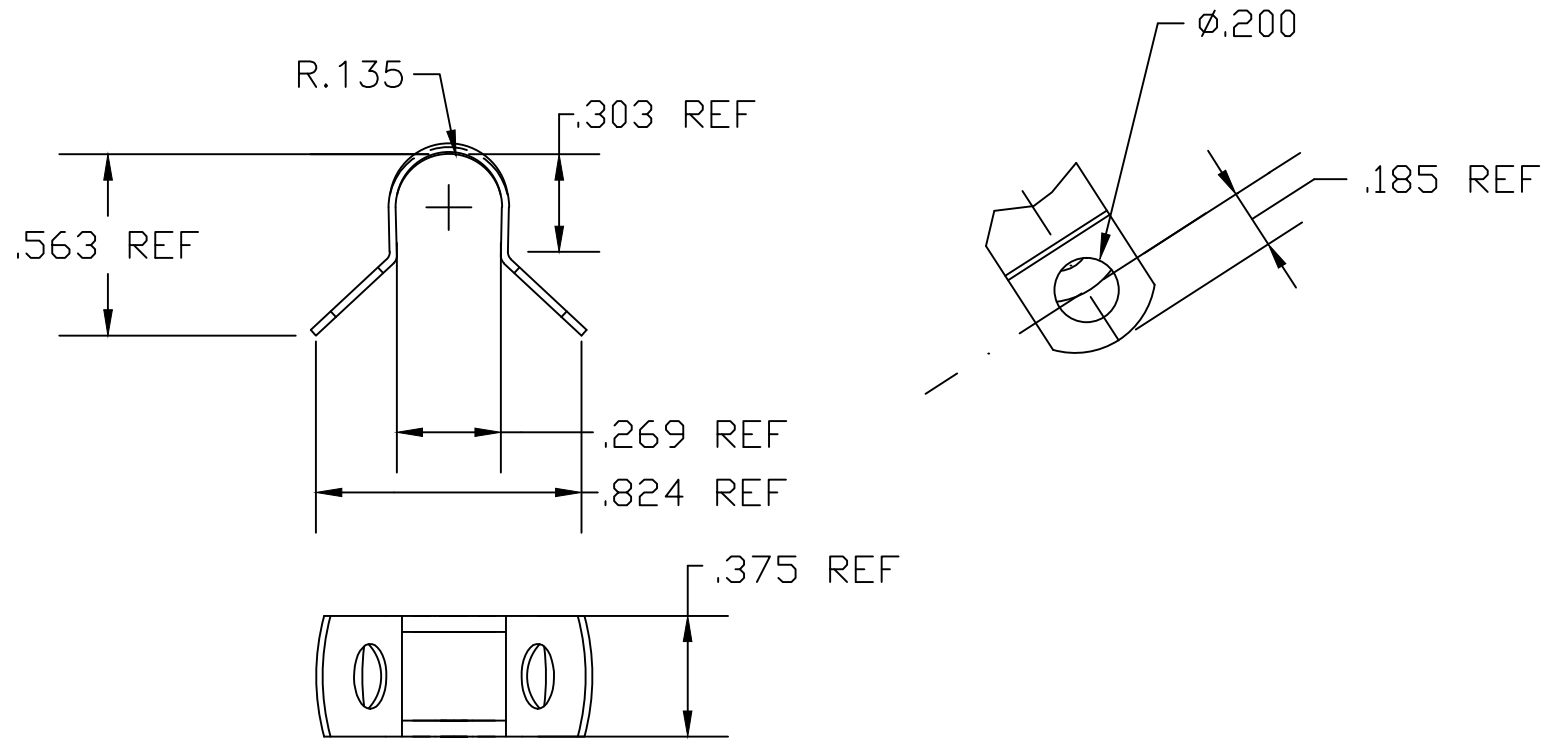


1	2	3	4	5
COMPONENT SPECIFICATION		USE OR REPRODUCTION OF THIS DRAWING FOR THE PURPOSE OF MANUFACTURING THIS ARTICLE OR ANY ARTICLES SHOWN FOR ANY PURPOSE IS STRICTLY PROHIBITED WITHOUT WRITTEN PERMISSION FROM MACLEAN SENIOR INDUSTRIES, LLC		



MATERIAL: .024" THICK ALUMINUM



DESIGNED:			SYM.	DATE:	DESCRIPTION OF REVISIONS:	DRAWN:	APPD:	TOLERANCE:	PART NO:	SI-0988-59
DRAWN:	RB	10/30/02	▲	10.30.02	NEW	RB	JF			
CHECKED:	RB	10/30/02	▲	.	.			TO 3 DECIMAL PLACES: ±		
APPROVED:	JF	10/30/02	▲	.	.			AS ANGLES: ± °	SHEET:	1 OF 1
3RD ANGLE		UNIT:	inches	SCALE:		REV.	A			