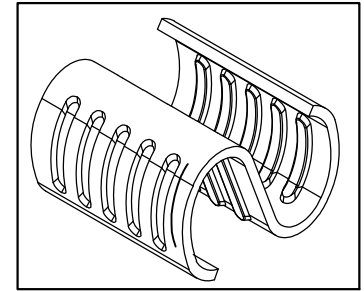
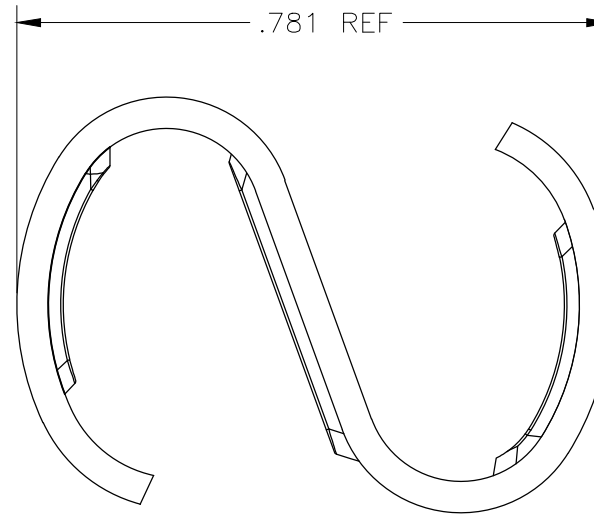
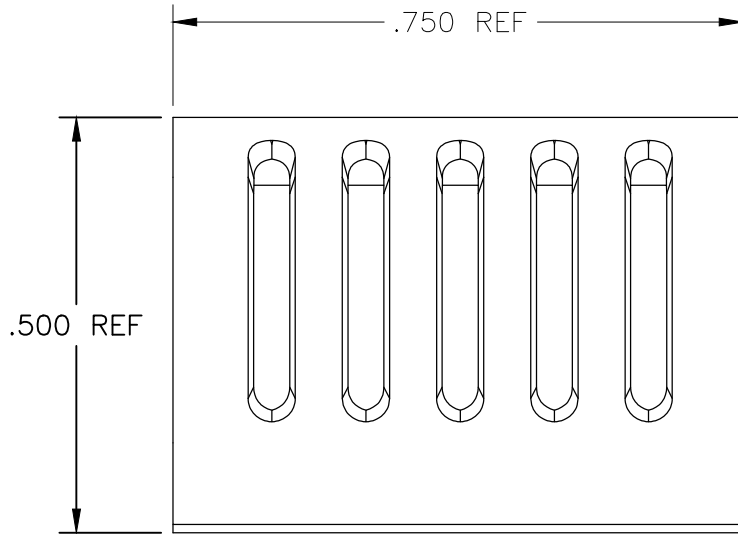


COMPONENT SPECIFICATION

USE OR REPRODUCTION OF THIS DRAWING FOR THE PURPOSE OF MANUFACTURING THIS ARTICLE OR ANY ARTICLES SHOWN FOR ANY PURPOSE IS STRICTLY PROHIBITED WITHOUT WRITTEN PERMISSION FROM SENIOR INDUSTRIES, INC.



A



B

MATERIAL: ALUMINUM
 APPLICATION: USED TO LOOP AND HOLD 1-2 PAIR DROP WIRE TO ITSELF FOR SNUB ATTACHMENTS.

C



DESIGNED:			SYM.	DATE:	DESCRIPTION OF REVISIONS:	DRAWN:	APPD:	TOLERANCE:	PART NO:	SI-0986
DRAWN:	MAW	04/08/13	△	04.08.13	NEW	MAW	JF		TO 2 DECIMAL PLACES: ± TO 3 DECIMAL PLACES: ±	TITLE:
CHECKED:	MAW	04/08/13	△	.	.			AS ANGLES: ± °		SHEET:
APPROVED:	JF	04/08/13	△	.	.					
3RD ANGLE		UNIT:	inches	SCALE:	4:1	REV.	A			