

1

2

3

4

5

COMPONENT SPECIFICATION

USE OR REPRODUCTION OF THIS DRAWING FOR THE PURPOSE OF MANUFACTURING THIS ARTICLE OR ANY ARTICLES SHOWN FOR ANY PURPOSE IS STRICTLY PROHIBITED WITHOUT WRITTEN PERMISSION FROM SENIOR INDUSTRIES, INC.

SPECIFICATIONS:

MECHANICAL:

RANGE: USED WITH SUMITOMO 36 FIBER DROP CABLE.
LOAD: SHALL WITHSTAND UP TO 800 LBS.
PACKAGING: 2 PARTS PACKAGED AS A PAIR.

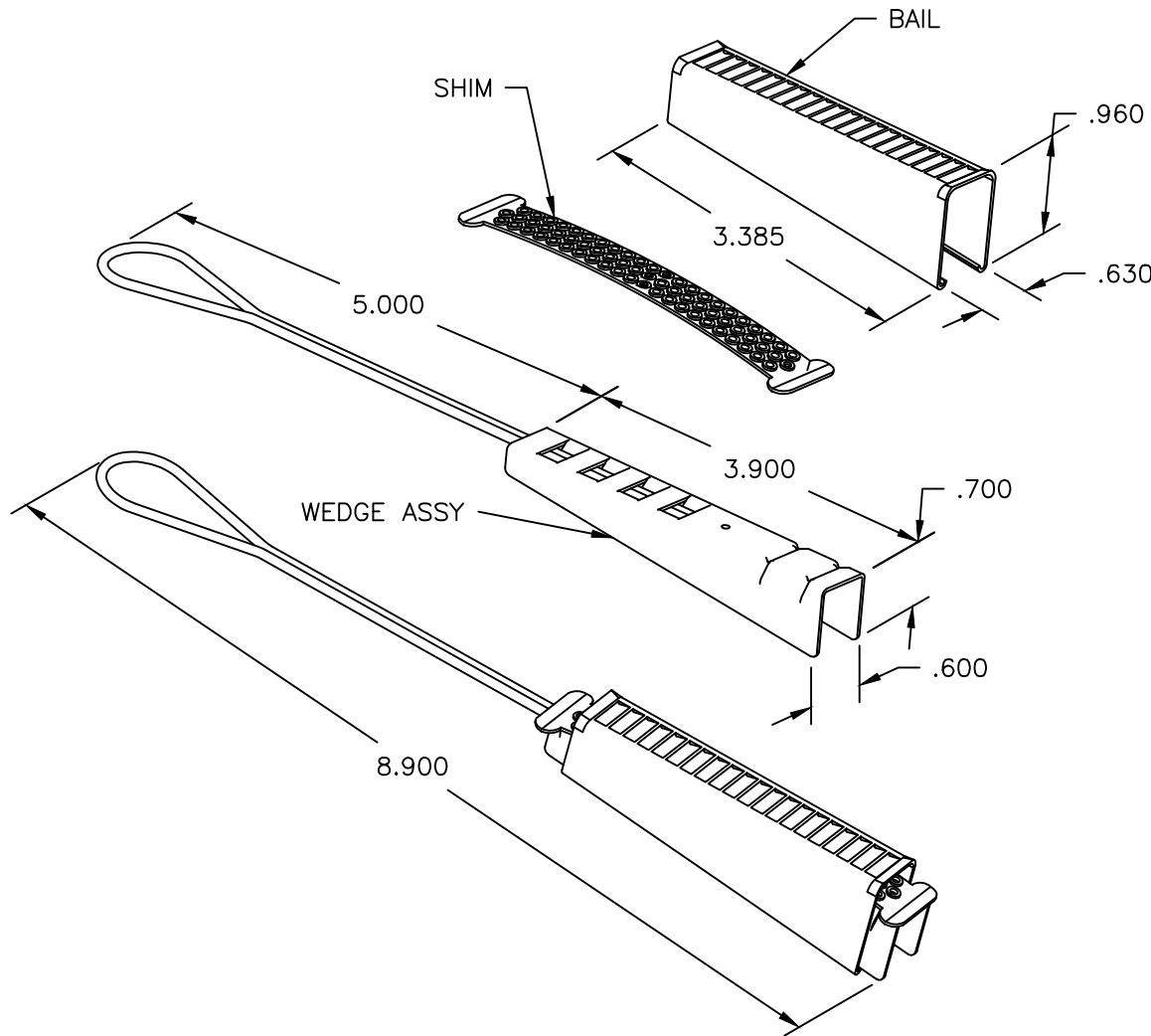
MATERIAL:

BAIL: 300 SERIES STAINLESS STEEL, BLACK
SHIM: 300 SERIES STAINLESS STEEL
WEDGE: 300 SERIES STAINLESS STEEL, BLACK
WIRE LOOP: 430 SERIES STAINLESS STEEL, BLACK

A

B

C



SENIOR INDUSTRIES, INC.

DESIGNED:			SYM:	DATE:	DESCRIPTION OF REVISIONS:	DRAWN:	APPD:	TOLERANCE:	PART NO:	SI-0966PS
DRAWN:	MAW	01/24/13	△	01.24.13	NEW	MAW	JF			
CHECKED:	MAW	01/24/13	△	.	.			TO 2 DECIMAL PLACES: ±	TITLE:	6 PAIR DROP CLAMP
APPROVED:	JF	01/24/13	△	.	.			TO 3 DECIMAL PLACES: ±		
3RD ANGLE		UNIT:	inches	SCALE:		REV.	A	AS ANGLES: ±	SHEET:	1 OF 1