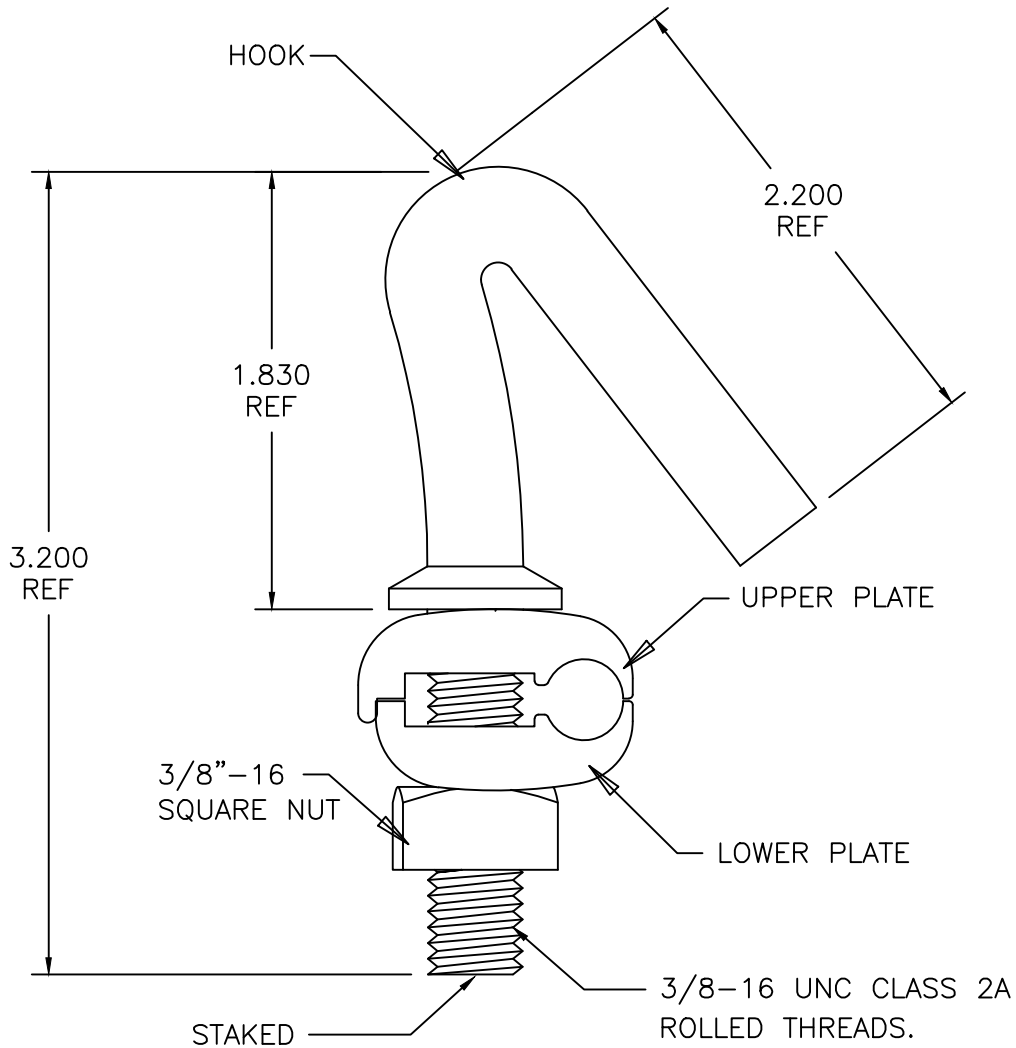


COMPONENT SPECIFICATION

USE OR REPRODUCTION OF THIS DRAWING FOR THE PURPOSE OF MANUFACTURING THIS ARTICLE OR ANY ARTICLES SHOWN FOR ANY PURPOSE IS STRICTLY PROHIBITED WITHOUT WRITTEN PERMISSION FROM SENIOR INDUSTRIES, INC.

A
B
C
D
E



NOTES:

- 1. HOOK MATERIAL: STEEL; FINISH: MECHANICALLY PLATED PER ASTM B695
- 2. NUT MATERIAL: STEEL; FINISH: MECHANICALLY PLATED PER ASTM B695
- 3. PLATES MATERIAL: ALUMINUM ALLOY

DESIGNED:			SYM.	DATE:	DESCRIPTION OF REVISIONS:	DRAWN	APPD.
DRAWN:	GAT	06/28/10	△	06.28.10	NEW	GAT	JF
CHECKED:	GAT	06/28/10	△	. . .			
APPROVED:	GAT	06/28/10	△	. . .			

3RD ANGLE		UNIT:	inches	SCALE:		REV.	A
-----------	--	-------	--------	--------	--	------	---



TOLERANCE:		PART NO:
TO 1 DECIMAL PLACE:	±	SI-0952
TO 2 DECIMAL PLACES:	±	TITLE:
AS ANGLES:	±	C SPAN CLAMP
SHEET:		1 OF 1