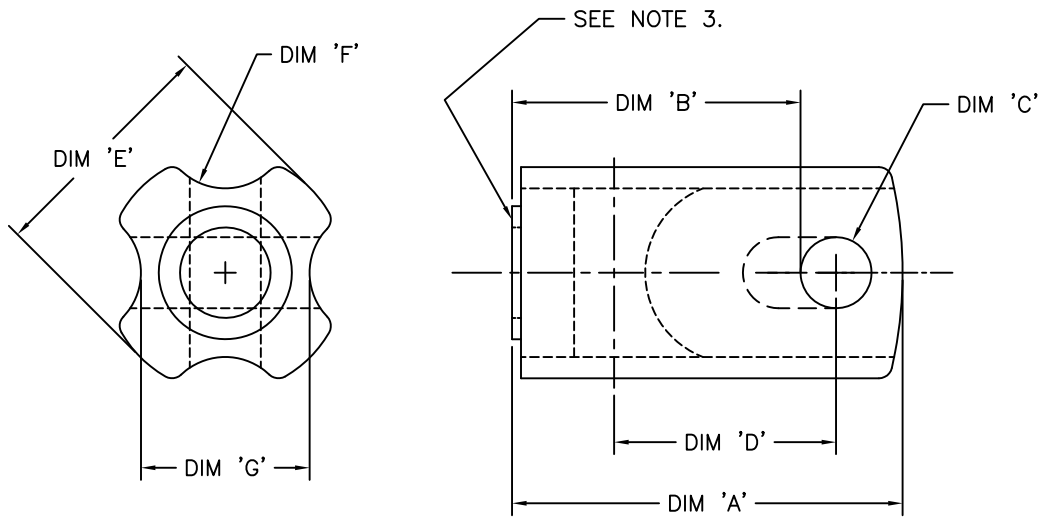


A | B | C | D | E | F

PAPER SIZE		DRAWING NUMBER	
B SIZE		GD-L506	
REV	REVISION DATE	ECO	
A	07-05-12	10658	
B	08-13-12	10690	



NOTES:

1. MATERIAL: PORCELAIN
2. ALL DIMENSIONS ARE REFERENCE AND ARE IN INCHES.
3. INDICATED SURFACE UNGLAZED.

CAT NO.	DIM 'A'	DIM 'B'	DIM 'C'	DIM 'D'	DIM 'E'	DIM 'F'	DIM 'G'	ANSI C29.4 CLASS	TENSILE STRENGTH
L506	5.500	4.063	∅1.000	3.125	3.375	R.875	2.375	54-3	89 kN

PART NO. F614945

This drawing contains confidential information that is the property of MacLean Power, L.L.C. ("MacLean"). Use of MacLean's confidential information without MacLean's express written consent is strictly prohibited and may expose you to legal liability. If you believe that you received this material in error, please destroy it or return it to "MacLean Power, L.L.C., 11411 Addison, Franklin Park, Illinois 60131, USA."

DRAWING-COMPUTER LOCATION

TOLERANCES UNLESS SPECIFIED	
MEASURE	
0.XX	— — —
0.XXX	— — —
ANGLE	— — —



DRAWN BY	ENGINEER	CHECKER	CATALOG #	SCALE	DESIGN DATE
RRL	RRL	JBB	L506	NTS	07-05-12
DRAWING TITLE / DESCRIPTION					DRAWING NUMBER
INSULATOR-GUY					GD-L506