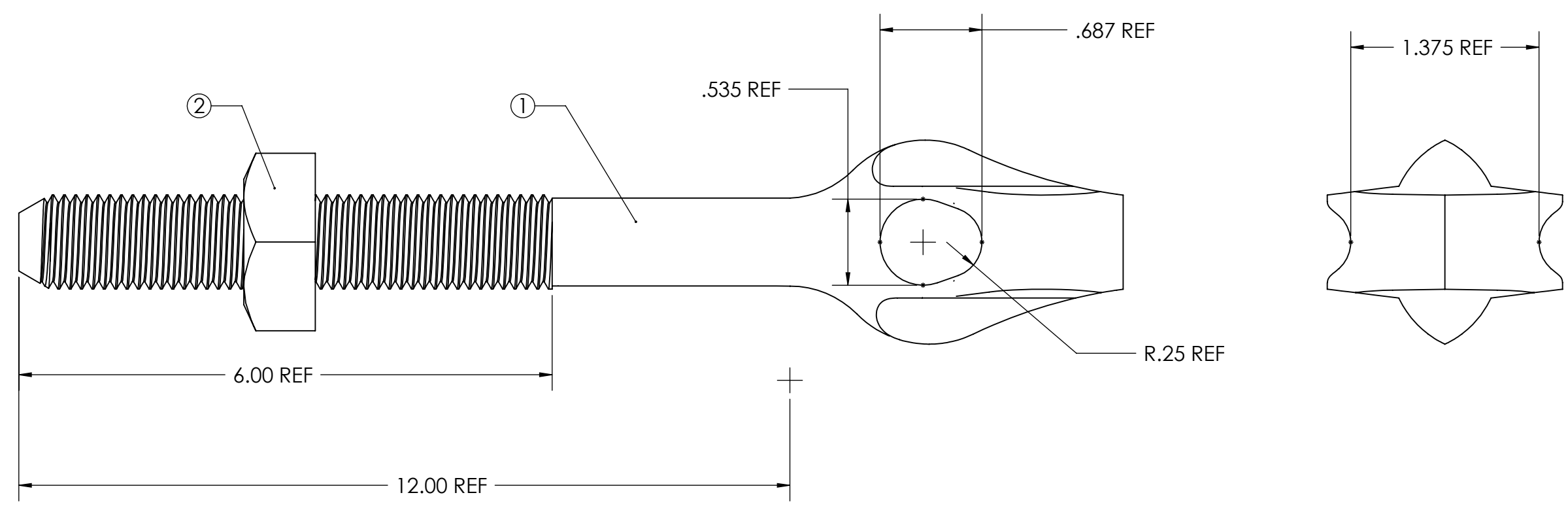


|            |            |                 |       |
|------------|------------|-----------------|-------|
| PAPER SIZE |            | DRAWING NUMBER  |       |
| <b>B</b>   |            | <b>GD-J8052</b> |       |
| REV        | REVISED BY | REVISION DATE   | ECO # |
| A          | RC         | 07/28/09        | 9598  |
|            |            |                 |       |

**NOTES:**

- 1) ALL DIMENSIONS ARE REFERENCED AND ARE IN INCHES.
- 2) ALL ITEMS HOT DIP GALVANIZED.

| ITEM | QTY | DESCRIPTION              |
|------|-----|--------------------------|
| 1    | 1   | BOLT THIMBLE EYE STR 5/8 |
| 2    | 1   | NUT SQUARE 5/8           |



This drawing contains confidential information that is the property of MacLean Power, L.L.C. ("MacLean"). Use of MacLean's confidential information without MacLean's express written consent is strictly prohibited and may expose you to legal liability. If you believe that you received this material in error, please destroy it or return it to "MacLean Power, L.L.C., 11411 Addison Street, Franklin Park, Illinois 60131, "USA."

F614635

|   |       |
|---|-------|
| UNLESS OTHERWISE SPECIFIED DIMENSIONS ARE IN: |       |
| <b>INCHES [MM]</b>                            |       |
| TOLERANCES ARE:                               |       |
| .XX [.X]                                      | ----- |
| .XXX [.XX]                                    | ----- |
| ANGLES  | ----- |

CATALOG NUMBER J8052

**MACLEAN POWER SYSTEMS**  
 11411 ADDISON STREET  
 FRANKLIN PARK, IL. 60131  
 TEL. (847) 455-0014 FAX: (847) 455-0029

|                      |  |                        |  |                      |  |
|----------------------|--|------------------------|--|----------------------|--|
| DRAWING NUMBER:      |  | <b>GD-J8052</b>        |  | DO NOT SCALE DRAWING |  |
| SHEET NAME:          |  | Sheet1                 |  | 1 OF 1               |  |
| DRAWING DESCRIPTION: |  | BOLT THIMBLEYE STR 5/8 |  |                      |  |
| DESIGN DATE:         |  | 07/31/09               |  |                      |  |
| DRAWN BY:            |  | RC                     |  |                      |  |
| ENGINEER:            |  | DEK                    |  |                      |  |
| APPROVED:            |  | FJS                    |  |                      |  |
| DRAWING SCALE:       |  | 1:1                    |  |                      |  |