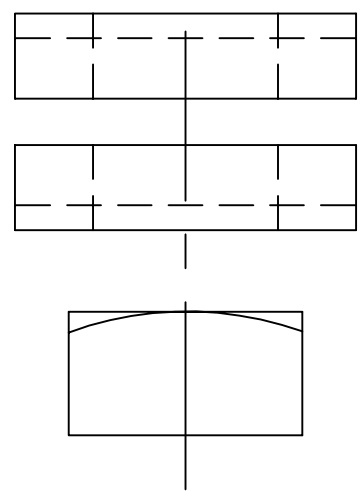
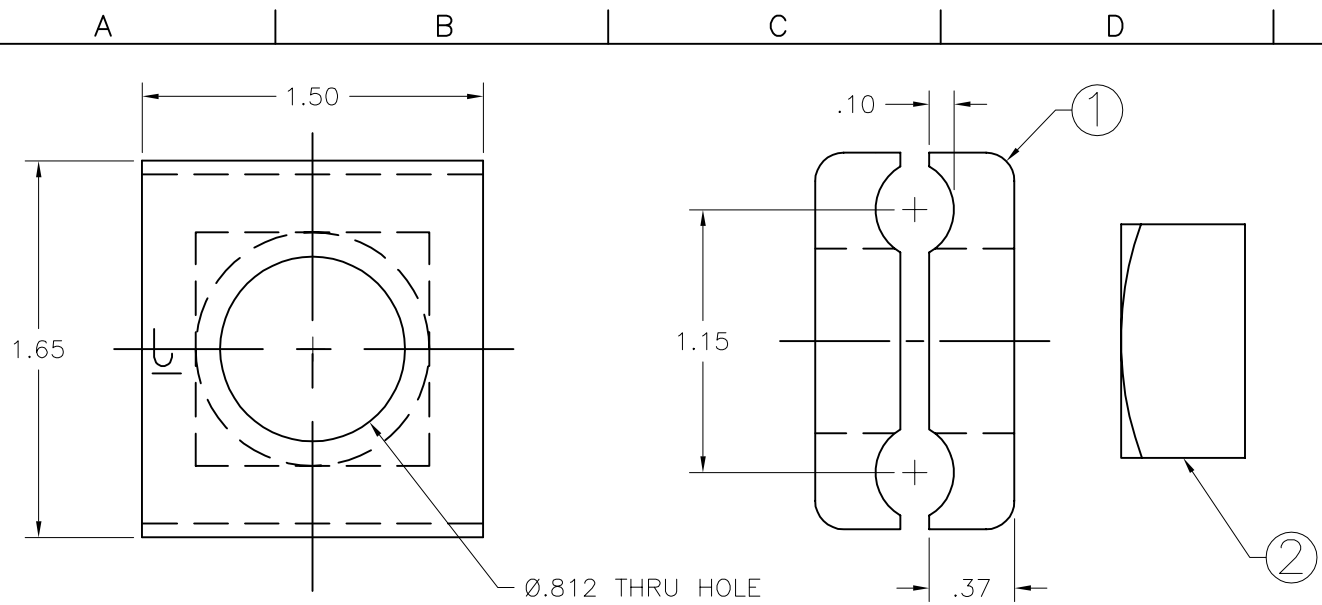


PAPER SIZE	DRAWING NUMBER	
B SIZE	GD-J1164	
REV	REVISION DATE	ECO
A	09-11-09	9641



ITEM	QUANTITY	DESCRIPTION
1	2	GUY CLAMP SECTION BODY
2	1	.750 REGULAR SQUARE NUT

NOTES:
 1) ALL DIMENSIONS ARE REFERENCE AND ARE IN INCHES.
 2) HOT DIP GALVANIZED.

CATALOG NUMBER J1164

This drawing contains confidential information that is the property of MacLean Power, L.L.C. ("MacLean"). Use of MacLean's confidential information without MacLean's express written consent is strictly prohibited and may expose you to legal liability. If you believe that you received this material in error, please destroy it or return it to "MacLean Power, L.L.C., 11411 Addison, Franklin Park, Illinois 60131, USA."

F337531

DRAWING-COMPUTER LOCATION:

TOLERANCES UNLESS SPECIFIED
inch
0.XX
0.XXX
ANGLE



DRAWN BY	ENGINEER	CHECKER	CATALOG #	SCALE	DESIGN DATE
RC	RRL	FJS	J1164	---	09-11-09
DRAWING TITLE / DESCRIPTION					DRAWING NUMBER
CLAMP CABLE					GD-J1164