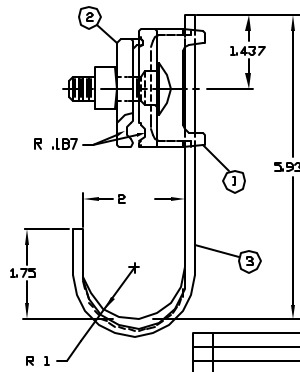
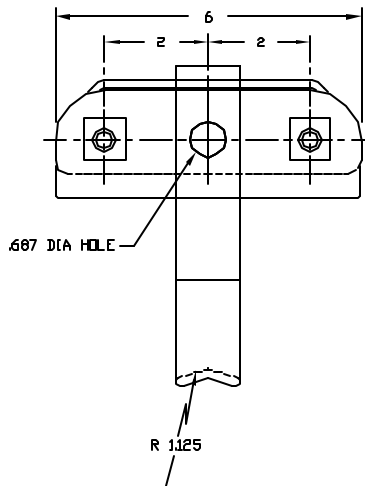


ITEM	PART NO.	DWG NO.	QTY	DESCRIPTION
1	J2245A	22580-A	1	SUSPENSION CLAMP SECTION
2	J2245B	22580-B	1	KEEPER PLATE SECTION
3	J2235C	1745-C	1	1.25 X .187 FORMED STEEL HANGER
4	2410BL	2410B	2	5 X 1.625 GUY CLAMP BOLT
5	J8562	2363D	2	.5 REGULAR SQUARE NUT



NOTES:

- 1) ALL DIMENSIONS ARE REFERENCE AND ARE IN INCHES
- 2) ALL ITEMS HOT DIP GALVANIZED (ASTM A-153)

CUSTOMER DRAWING

NO.				REVISION		DATE		CHK.	
UNSPECIFIED				DIMENSIONAL		TOLERANCES			
FRACTIONAL ±				DECIMAL ±		ANGULAR ±			
SUPERSEDES:									
<small>THIS DRAWING IS THE PROPERTY OF JOSLYN MANUFACTURING CO. AND SHOULD BE KEPT IN CONFIDENTIALITY. IT IS TO BE USED ONLY FOR THE MANUFACTURE OF THE PARTS SPECIFIED HEREIN. IT IS TO BE DESTROYED OR REPRODUCED IN ANY MANNER WITHOUT THE WRITTEN PERMISSION OF JOSLYN MANUFACTURING CO.</small>									
DATE 7-20-05				DWG. NO. 22580-C		DRAWN JB		CHECKED	
SCALE:				SHEET 1 OF 1					

CATALOG NO. J2245

**JOSLYN**  
MANUFACTURING CO.

CABLE HANGER  
ASSEMBLY