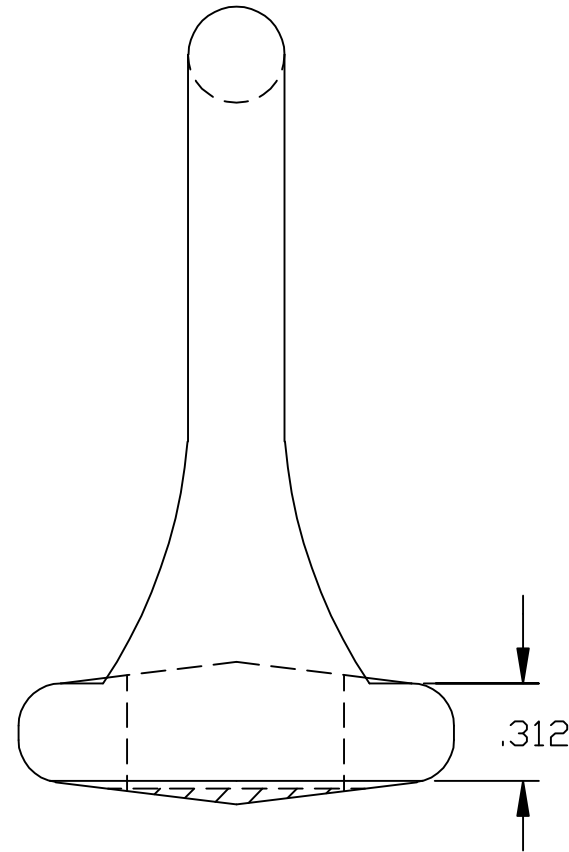
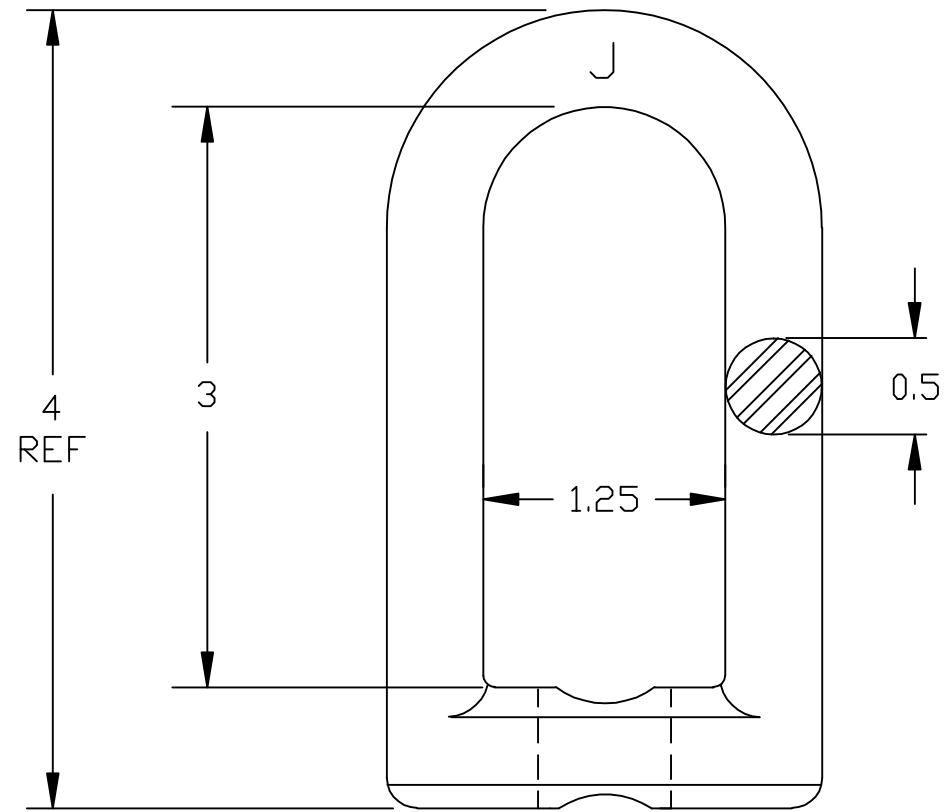


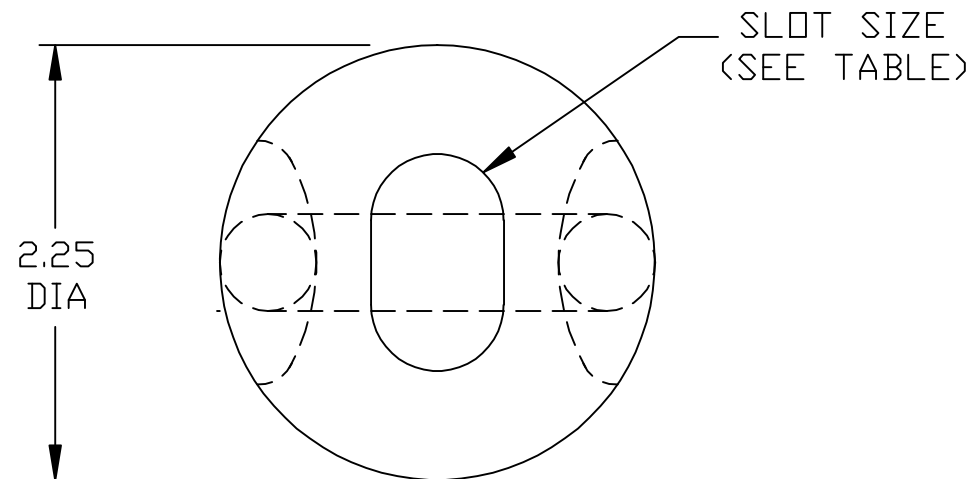
REVISIONS				
NO.	DATE	DESCRIPTION	BY	CKD



NOTES:


- 1) ALL DIMENSIONS ARE IN INCHES, EXCEPT AS NOTED
- 2) HOT DIP GALVANIZED (ASTM A-153)

CATALOG NO.	SLOT SIZE
J1126	.687 X 1.125
J1127	.812 X 1.125



ENG. REF.

This information is confidential and is the property of Maclean Power Systems. It may not be made public or reproduced except that the Customer may make copies for use solely in installation, maintenance, and operation of products supplied by Maclean Power Systems.

 MACLEAN POWER SYSTEMS A Maclean-fogg Company	
STEEL EYELETS	
DATE: 2-26-93	SCALE:
DWN. BY: JB	CKD. BY:
APR. BY:	NO. 1026-C
R / 0	SH. 1 OF 1